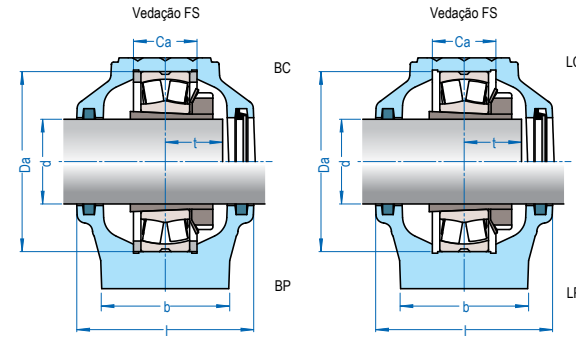
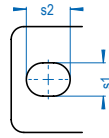
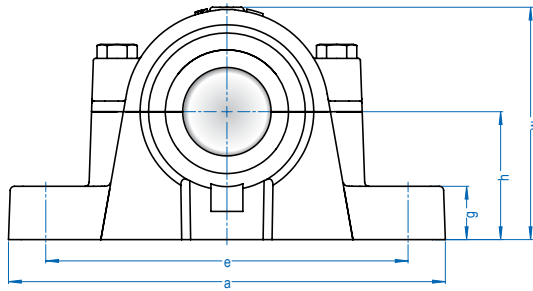
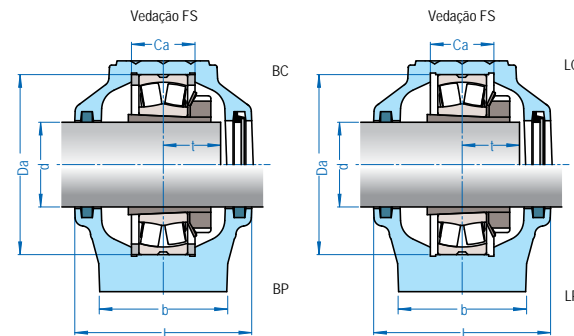
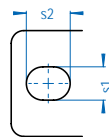
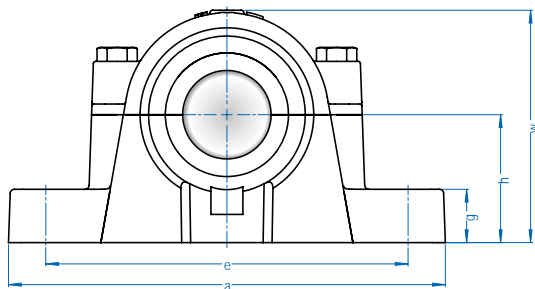


EIXO Ød	Caixa	Montagem				Cargas (kgf)			Limite Rotação RPM	Dimensão nominal (mm)													Paraf.	Peso (kg)
		Rolamento	Bucha de Fixação	Anel de Bloqueio	Tampa Cega	dinâmica C _d	estática C _{st}	h		a	e	b	s1	s2	g	w	l	Ca	Da	t				
3/4	SNA 505	1205K	HE205	2 FRB 5/52	A 505	1430	400	18000	40,0	165	130	46	15	20	19	74	67	25	52	18	M12	1,2		
		2205K	HE305	2 FRB 3.5/52		1680	440	18000																
		22205K	HE305	2 FRB 3.5/52		4900	440	17000																
		1205K	H205	2 FRB 5/52		1430	400	18000																
		2205K	H305	2 FRB 3.5/52		1680	440	18000																
		22205K	H305	2 FRB 3.5/52		4900	440	17000																
7/8	SNA 506	1206K	HS206	2 FRB 8/62	A 506	1560	465	15000	50,0	185	150	52	15	20	22	89	77	32	62	19	M12	1,6		
		2206K	HS306	2 FRB 6/62		2380	670	15000																
		22206K	HS306	2 FRB 6/62		6400	6000	14000																
		1206K	HA206	2 FRB 8/62		1560	465	15000																
		2206K	HA306	2 FRB 6/62		2380	670	15000																
		22206K	HA306	2 FRB 6/62		6400	6000	14000																
15/16	SNA 507	1207K	HE207	2 FRB 8.5/72	A 507	1900	600	13000	50,0	185	150	52	15	20	22	94	83	34	72	21	M12	1,9		
		2207K	HE307	2 FRB 5.5/72		3070	880	12000																
		22207K	HE307	2 FRB 5.5/72		8650	8500	12000																
		1207K	H207	2 FRB 8.5/72		1900	600	13000																
		2207K	H307	2 FRB 5.5/72		3070	880	12000																
		22207K	H307	2 FRB 5.5/72		8650	8500	12000																
1	SNA 508	1208K	HE208	2 FRB 10.5/80	A 508	1990	695	11000	60,0	205	170	60	15	20	25	108	85	39	80	22	M12	2,3		
		2208K	HE308	2 FRB 8/80		3190	1000	11000																
		22208K	HE308	2 FRB 8/80		9650	9000	11000																
		1208K	HA208	2 FRB 10.5/80		1990	695	11000																
		2208K	HA308	2 FRB 8/80		3190	1000	11000																
		22208K	HA308	2 FRB 8/80		9650	9000	11000																
1-1/8	SNA 509	1208K	HS208	2 FRB 10.5/80	A 509	1990	695	11000	60,0	205	170	60	15	20	25	108	85	39	80	22	M12	2,3		
		2208K	HS308	2 FRB 8/80		3190	1000	11000																
		22208K	HS308	2 FRB 8/80		9650	9000	11000																
		1208K	H208	2 FRB 10.5/80		1990	695	11000																
		2208K	H308	2 FRB 8/80		3190	1000	11000																
		22208K	H308	2 FRB 8/80		9650	9000	11000																

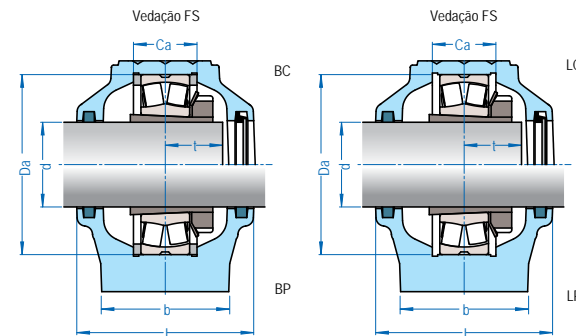
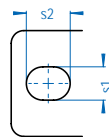
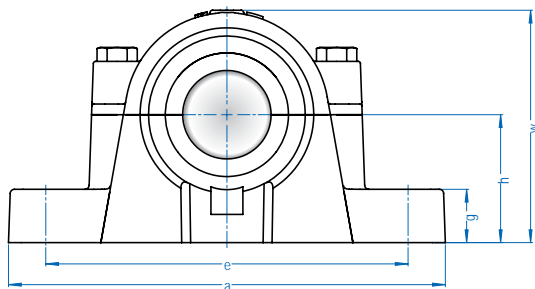
SNA 500



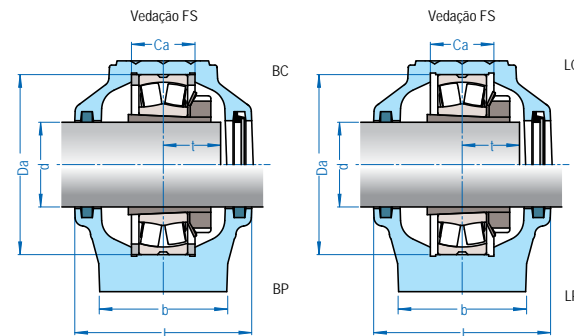
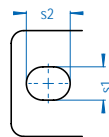
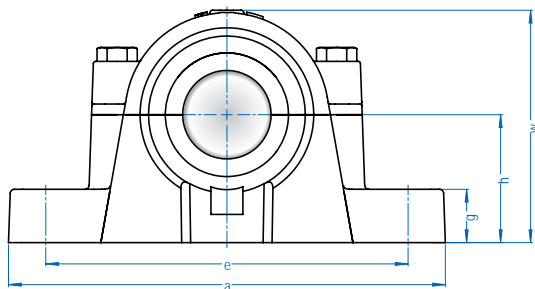
Eixo Ød	Caixa	Montagem				Cargas (k gf)			Limite Rotação RPM	Dimensão nominal (mm)													Paraf.	Peso (kg)
		Rolamento	Bucha de Fixação	Anel de Bloqueio	Tampa Cega	dinâmica C _r	estática C _{0r}	h		a	e	b	s1	s2	g	w	l	Ca	Da	t				
1-7/16	SNA 509	1209K	HA209	2 FRB 5.5/85	A 509	2290	780	11000	60,0	205	170	60	15	20	25	109	85	30	85	23	M12	2,4		
		2209K	HA309	2 FRB 3.5/85		3250	1060	10000																
		22209K	HA309	2 FRB 3.5/85		10200	9800	10000																
1-1/2		1209K	HE209	2 FRB 5.5/85		2290	780	11000																
		2209K	HE309	2 FRB 3.5/85		3250	1060	10000																
		22209K	HE309	2 FRB 3.5/85		10200	9800	10000																
		40	1209K	H209		2 FRB 5.5/85	2290	780															11000	
		2209K	H309	2 FRB 3.5/85		3250	1060	10000																
		22209K	H309	2 FRB 3.5/85		10200	9800	10000																
1-5/8	SNA 510	1210K	HS210	2 FRB 10.5/90	A 510	2650	915	10000	60,0	205	170	60	15	20	25	114	92	41	90	24	M12	2,5		
		2210K	HS310	2 FRB 9/90		3380	1120	9500																
		22210K	HS310	2 FRB 9/90		10400	10800	9500																
1-11/16		1210K	HA210	2 FRB 10.5/90		2650	915	10000																
		2210K	HA310	2 FRB 9/90		3380	1120	9500																
		22210K	HA310	2 FRB 9/90		10400	10800	9500																
1-3/4		1210K	HE210	2 FRB 10.5/90		2650	915	10000																
		2210K	HE310	2 FRB 9/90		3380	1120	9500																
		22210K	HE310	2 FRB 9/90		10400	10800	9500																
	45	1210K	H210	2 FRB 10.5/90	2650	915	10000																	
	2210K	H310	2 FRB 9/90	3380	1120	9500																		
	22210K	H310	2 FRB 9/90	10400	10800	9500																		
1 7/8	SNA 511	1211K	HS211	2 FRB 11.5/100	A 511	2760	1060	9000	70,0	255	210	70	18	24	28	129	96	44	100	26	M16	3,3		
		2211K	HS311	2 FRB 9.5/100		3900	1340	8500																
		22211K	HS311	2 FRB 9.5/100		12500	1270	8500																
1-15/16		1211K	HA211	2 FRB 11.5/100		2760	1060	9000																
		2211K	HA311	2 FRB 9.5/100		3900	1340	8500																
		22211K	HA311	2 FRB 9.5/100		12500	1270	8500																
2		1211K	HE211	2 FRB 11.5/100		2760	1060	9000																
		2211K	HE311	2 FRB 9.5/100		3900	1340	8500																
		22211K	HE311	2 FRB 9.5/100		12500	1270	8500																
	50	1211K	H211	2 FRB 11.5/100	2760	1060	9000																	
	2211K	H311	2 FRB 9.5/100	3900	1340	8500																		
	22211K	H311	2 FRB 9.5/100	12500	1270	8500																		
2-1/8	SNA 512	1212K	HS212	2 FRB 13/110	A 512	3120	1220	8500	70,0	255	210	70	18	24	30	134	105	48	110	28	M16	3,7		
		2212K	HS312	2 FRB 10/110		4880	1700	8000																
		22212K	HS312	2 FRB 10/110		15600	16600	7500																
2-1/8		1212K	HE212	2 FRB 13/110		3120	1220	8500																
		2212K	HE312	2 FRB 10/110		4880	1700	8000																
		22212K	HE312	2 FRB 10/110		15600	16600	7500																
		55	1212K	H212		2 FRB 13/110	3120	1220															8500	
		2212K	H312	2 FRB 10/110		4880	1700	8000																
		22212K	H312	2 FRB 10/110		15600	16600	7500																
2-3/16		1212K	HA212	2 FRB 13/110	3120	1220	8500																	
	2212K	HA312	2 FRB 10/110	4880	1700	8000																		
	22212K	HA312	2 FRB 10/110	15600	16600	7500																		



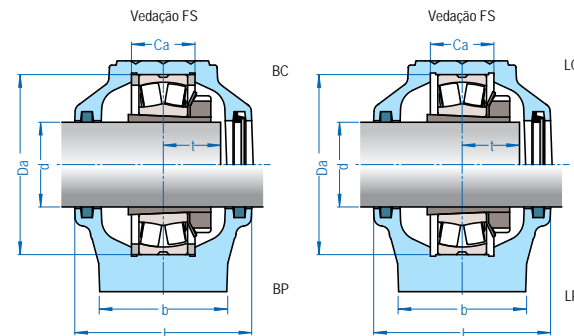
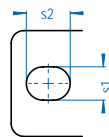
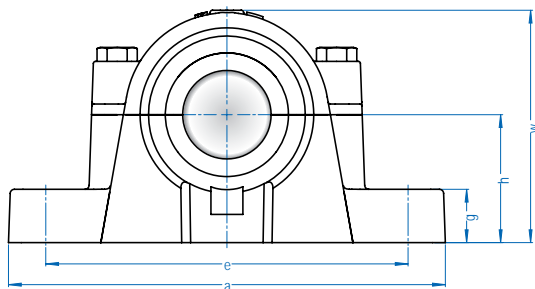
Eixo Ød	Caixa	Montagem				Tampa Cega	Cargas (k.gf)			Limite Rotação RPM	Dimensão nominal (mm)													Paraf.	Peso (kg)
		Rolamento	Bucha de Fixação	Anel de Bloqueio			dinâmica C _r	estática C _{0r}	h		a	e	b	s1	s2	g	w	l	Ca	Da	t				
2-3/16	SNA 513	1213K	HA213	2 FRB 14/120	A 513	3510	1400	7000	80,0	275	230	80	18	24	30	150	110	51	120	31	M16	5,1			
		2213K	HA313	2 FRB 10/120		5720	2000	7000																	
		22213K	HA313	2 FRB 10/120		19300	21600	7000																	
2-1/4		1213K	HE213	2 FRB 14/120		3510	1400	7000																	
		2213K	HE313	2 FRB 10/120		5720	2000	7000																	
		22213K	HE313	2 FRB 10/120		19300	21600	7000																	
60		1213K	H213	2 FRB 14/120		3510	1400	7000																	
		2213K	H313	2 FRB 10/120		5720	2000	7000																	
		22213K	H313	2 FRB 10/120		19300	21600	7000																	
2-3/8		1213K	HS213	2 FRB 14/120		3510	1400	7000																	
		2213K	HS313	2 FRB 10/120		5720	2000	7000																	
		22213K	HS313	2 FRB 10/120		19300	21600	7000																	
2-7/16	SNA 515	1215K	HA215	2 FRB 15.5/130	A 515	3900	1560	6700	80,0	280	230	80	18	24	30	156	118	56	130	32	M16	5,6			
		2215K	HA315	2 FRB 12.5/130		5850	2200	6300																	
		22215K	HA315	2 FRB 12.5/130		21200	24000	6300																	
2-1/2		1215K	HE215	2 FRB 15.5/130		3900	1560	6700																	
		2215K	HE315	2 FRB 12.5/130		5850	2200	6300																	
		22215K	HE315	2 FRB 12.5/130		21200	24000	6300																	
65		1215K	H215	2 FRB 15.5/130		3900	1560	6700																	
		2215K	H315	2 FRB 12.5/130		5850	2200	6300																	
		22215K	H315	2 FRB 12.5/130		21200	24000	6300																	
2-5/8		1215K	HS215	2 FRB 15.5/130		3900	1560	6700																	
		2215K	HS315	2 FRB 12.5/130		5850	2200	6300																	
		22215K	HS315	2 FRB 12.5/130		21200	24000	6300																	
2-11/16	SNA 516	1216K	HA216	2 FRB 16/140	A 516	3970	1700	6000	95,0	315	260	90	22	28	32	177	123	58	140	35	M20	7,4			
		2216K	HA316	2 FRB 12.5/140		6500	2550	6000																	
		22216K	HA316	2 FRB 12.5/140		23600	27000	6000																	
2-3/4		1216K	HE216	2 FRB 16/140		3970	1700	6000																	
		2216K	HE316	2 FRB 12.5/140		6500	2550	6000																	
		22216K	HE316	2 FRB 12.5/140		23600	27000	6000																	
70		1216K	H216	2 FRB 16/140		3970	1700	6000																	
		2216K	H316	2 FRB 12.5/140		6500	2550	6000																	
		22216K	H316	2 FRB 12.5/140		23600	27000	6000																	



Eixo Ød	Caixa	Montagem				Cargas (k.gf)			Limite Rotação RPM	Dimensão nominal (mm)													Paraf.	Peso (kg)															
		pol	mm	Rolamento	Bucha de Fixação	Anel de Bloqueio	Tampa Cega	dinâmica C _r		estática C _{0r}	h	a	e	b	s1	s2	g	w	l	Ca	Da	t																	
2-7/8	SNA 517		1217K	HS217	2 FRB 16.5/150	A 517	4880	2080	5600	95,0	320	260	90	22	28	32	183	128	61	150	37	M20	8,6																
			2217K	HS317	2 FRB 12.5/150		5850	2360	5600																														
			22217K	HS317	2 FRB 12.5/150		28500	32500	5600																														
2-15/16		1217K	HA217	2 FRB 16.5/150	4880		2080	5600																															
		2217K	HA317	2 FRB 12.5/150	5850		2360	5600																															
		22217K	HA317	2 FRB 12.5/150	28500		32500	5600																															
3		1217K	H217	2 FRB 16.5/150	4880		2080	5600																															
		2217K	H317	2 FRB 12.5/150	5850		2360	5600																															
		22217K	H317	2 FRB 12.5/150	28500		32500	5600																															
3-1/8		SNA 518	75	1218K	HS218		2 FRB 17.5/160	A 518	5720															2360	5300	100,0	345	290	100	22	28	35	194	140	65	160	46	M20	11,0
				2218K	HS318		2 FRB 12.5/160		7020															2850	5300														
				22218K	HS318		2 FRB 12.5/160		32500															37500	5300														
	23218K			HS2318	2 FRB 6.25/160	35500	44000		3800																														
	1218K			H218	2 FRB 17.5/160	5720	2360		5300																														
3-3/16	2218K		H318	2 FRB 12.5/160	7020	2850	5300																																
	22218K		H318	2 FRB 12.5/160	32500	37500	5300																																
	23218K		H2318	2 FRB 6.25/160	35500	44000	3800																																
	1218K		HA218	2 FRB 17.5/160	5720	2360	5300																																
	2218K		HA318	2 FRB 12.5/160	7020	2850	5300																																
3-1/4	22218K		HA318	2 FRB 12.5/160	32500	37500	5300																																
	23218K		HA2318	2 FRB 6.25/160	35500	44000	3800																																
	1218K	HE218	2 FRB 17.5/160	5720	2360	5300																																	
	2218K	HE318	2 FRB 12.5/160	7020	2850	5300																																	
	22218K	HE318	2 FRB 12.5/160	32500	37500	5300																																	
3-5/16	23218K	HE2318	2 FRB 6.25/160	35500	44000	3800																																	
	1219K	HA219	2 FRB 18/170	6370	2700	5000																																	
	2219K	HA319	2 FRB 12.5/170	8320	3450	5000																																	
	22219K	HA319	2 FRB 12.5/170	38000	45000	4800																																	
	1219K	H219	2 FRB 18/170	6370	2700	5000																																	
3-3/8	2219K	H319	2 FRB 12.5/170	8320	3450	5000																																	
	22219K	H319	2 FRB 12.5/170	38000	45000	4800																																	
	1219K	HS219	2 FRB 18/170	6370	2700	5000																																	
	2219K	HS319	2 FRB 12.5/170	8320	3450	5000																																	
	22219K	HS319	2 FRB 12.5/170	38000	45000	4800																																	



Eixo Ød	Caixa	Montagem				Cargas (k.gf)		Limite Rotação RPM	Dimensão nominal (mm)														Paraf.	Peso (kg)
		Rolamento	Bucha de Fixação	Anel de Bloqueio	Tampa Cega	dinâmica C _r	estática C _{0r}		h	a	e	b	s1	s2	g	w	l	Ca	Da	t				
3-7/16	SNA 520	1220K	HA220	2 FRB 18/180	A 520	6890	3000	4800	112,0	380	320	110	26	32	40	217	160	70	180	52	M24	16,2		
		2220K	HA320	2 FRB 12/180		9750	4050	4800																
		22220K	HA320	2 FRB 12/180		42500	49000	4500																
		23220K	HA2320	2 FRB 4.85/180		47500	60000	3400																
3-1/2		1220K	HE220	2 FRB 18/180		6890	3000	4800																
		2220K	HE320	2 FRB 12/180		9750	4050	4800																
		22220K	HE320	2 FRB 12/180		42500	49000	4500																
		23220K	HE2320	2 FRB 4.85/180		47500	60000	3400																
90		1220K	H220	2 FRB 18/180		6890	3000	4800																
		2220K	H320	2 FRB 12/180		9750	4050	4800																
		22220K	H320	2 FRB 12/180		42500	49000	4500																
		23220K	H2320	2 FRB 4.85/180		47500	60000	3400																
3-5/8	1220K	HS220	2 FRB 18/180	6890	3000	4800																		
	2220K	HS320	2 FRB 12/180	9750	4050	4800																		
	22220K	HS320	2 FRB 12/180	42500	49000	4500																		
	23220K	HS2320	2 FRB 4.85/180	47500	60000	3400																		
3-7/8	SNA 522	1222K	HS222	2 FRB 21/200	A 522	8840	3900	4300	125,0	410	350	120	26	32	45	239	175	80	200	58	M24	21,0		
		2222K	HS322	2 FRB 13.5/200		12400	5200	4300																
		22222K	HS322	2 FRB 13.5/200		56000	64000	4000																
		23222K	HS2322	2 FRB 5.1/200		60000	76500	3200																
100		1222K	H222	2 FRB 21/200		8840	3900	4300																
		2222K	H322	2 FRB 13.5/200		12400	5200	4300																
		22222K	H322	2 FRB 13.5/200		56000	64000	4000																
		23222K	H2322	2 FRB 5.1/200		60000	76500	3200																
3-15/16		1222K	HA222	2 FRB 21/200		8840	3900	4300																
		2222K	HA322	2 FRB 13.5/200		12400	5200	4300																
		22222K	HA322	2 FRB 13.5/200		56000	64000	4000																
		23222K	HA2322	2 FRB 5.1/200		60000	76500	3200																
4	1222K	HE222	2 FRB 21/200	8840	3900	4300																		
	2222K	HE322	2 FRB 13.5/200	12400	5200	4300																		
	22222K	HE322	2 FRB 13.5/200	56000	64000	4000																		
	23222K	HE2322	2 FRB 5.1/200	60000	76500	3200																		



Eixo Ød	Caixa	Montagem				Cargas (k.gf)			Limite Rotação RPM	Dimensão nominal (mm)													Paraf.	Peso (kg)
		Rolamento	Bucha de Fixação	Anel de Bloqueio	Tampa Cega	dinâmica C _r	estática C _{0r}	h		a	e	b	s1	s2	g	w	l	Ca	Da	t				
4-3/16	SNA 524	1224K	HA3024	2 FRB 22/215	A 524	11900	5300	4000	140,0	410	350	120	26	32	45	258	185	86	215	62	M24	24,7		
		22224K	HA3124	2 FRB 14/215		63000	76500	3800																
		23224K	HA2324	2 FRB 5/215		69500	93000	2800																
4-1/4		1224K	HE3024	2 FRB 22/215		11900	5300	4000																
		22224K	HE3124	2 FRB 14/215		63000	76500	3800																
		23224K	HE2324	2 FRB 5/215		69500	93000	2800																
		1224K	H3024	2 FRB 22/215		11900	5300	4000																
		22224K	H3124	2 FRB 14/215		63000	76500	3800																
		23224K	H2324	2 FRB 5/215		69500	93000	2800																
4-3/8	SNA 526	1224K	HS3024	2 FRB 22/215	A 526	11900	5300	4000	150,0	445	380	130	28	35	50	283	190	90	230	65	M24	32,7		
		22224K	HS3124	2 FRB 14/215		63000	76500	3800																
		23224K	HS2324	2 FRB 5/215		69500	93000	2800																
4-7/16		22226K	HA3126	2 FRB 13/230		73500	93000	3600																
		23226K	HA2326	2 FRB 5/230		78000	106000	2600																
4-1/2		22226K	HE3126	2 FRB 13/230		73500	93000	3600																
		23226K	HE2326	2 FRB 5/230		78000	106000	2600																
		22226K	H3126	2 FRB 13/230		73500	93000	3600																
		23226K	H2326	2 FRB 5/230		78000	106000	2600																
4-7/8	SNA 528	22228K	HS3128	2 FRB 15/250	A 528	71000	90000	3200	150,0	500	420	150	35	42	50	295	204	98	250	70	M30	39,0		
		23228K	HS2328	2 FRB 5/250		91500	125000	2400																
		22228K	H3128	2 FRB 15/250		71000	90000	3200																
		23228K	H2328	2 FRB 5/250		91500	125000	2400																
4-15/16		22228K	HA3128	2 FRB 15/250		71000	90000	3200																
		23228K	HA2328	2 FRB 5/250		91500	125000	2400																
5		22228K	HE3128	2 FRB 15/250		71000	90000	3200																
		23228K	HE2328	2 FRB 5/250		91500	125000	2400																
5-3/16		SNA 530	22230K	HA3130		2 FRB 16.5/270	A 530	85000															108000	3000
	23230K		HA2330	2 FRB 5/270	108000	146000		2200																
	22230K		HE3130	2 FRB 16.5/270	85000	108000		3000																
5-1/7	23230K		HE2330	2 FRB 5/270	108000	146000		2200																
	22230K		HS3130	2 FRB 16.5/270	85000	108000		3000																
5-3/8	23230K		HS2330	2 FRB 5/270	108000	146000		2200																
	22230K		H3130	2 FRB 16.5/270	85000	108000		3000																
	23230K		H2330	2 FRB 5/270	108000	146000		2200																
5-7/16	SNA 532		22232K	HA3132	2 FRB 17/290	A 532		100000	129000	2800	170,0	550	470	160	35	42	60	340	235	114	290	82	M30	60,0
		23232K	HA2332	2 FRB 5/290	122000		166000	2200																
		22232K	HE3132	2 FRB 17/290	100000		129000	2800																
5-1/2		23232K	HE2332	2 FRB 5/290	122000		166000	2200																
		22232K	H3132	2 FRB 17/290	100000		129000	2800																
		23232K	H2332	2 FRB 5/290	122000		166000	2200																