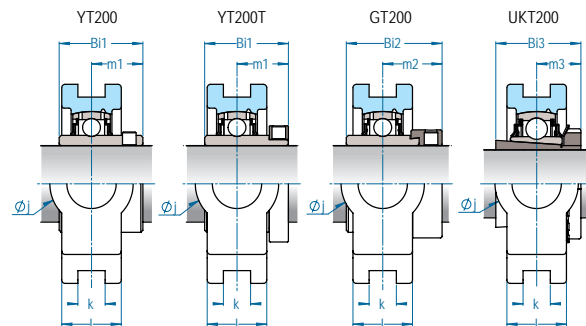
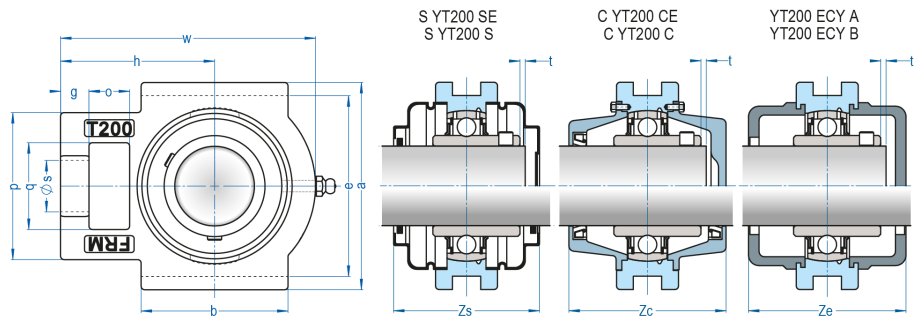


# T 200

mancal tipo TENSOR  
serviço NORMAL



Caixa	Eixo		Dimensão nominal (mm)														Peso (kg)				Rolamentos									
	Ø pol	Ø mm	o	g	p	q	s	b	k	e	a	w	l	j	h	t	Zs	Zc	Ze	YT2 YT2T	CYT2 C(E)	GT2	UKT2	D	Y 200 / Y 200 T Bi1 m1	G 200 Bi2 m2	UK 200			
																											Ø Eixo	Bucha	Bi3	m3
T 204	1/2 5/8 3/4	12 15 17 20	16	10	51	32	19	51	12,0	76,0	89	94	21	32	61	2	54	62	65	0,80	1,10	0,80	-	47,0	31,0	18,3	-	-	-	-
T 205	7/8 15/16 1	25	16	10	51	32	19	51	12,0	76,0	89	97	24	32	62	2	61	73	77	0,80	1,20	0,90	0,90	52,0	34,0	19,7	3/4 20	HE2305 H2305	35,0	18,5
T 206	1-1/16 1-1/8 1-3/16 1-1/4 1-1/4	30	18	10	56	37	22	57	12,0	89,0	102	113	28	37	70	2	67	75	81	1,30	1,90	1,40	1,40	62,0	38,1	22,2	7/8 15/16 25 1	HS2306 HA2306 H2306 HE2306	38,0	20,5
T 207	1-5/16 1-3/8 1-7/16	35	18	13	64	37	22	64	12,0	89,0	102	129	30	37	78	3	74	80	90	1,70	2,50	1,80	1,70	72,0	42,9	25,4	1-1/8 30 1-3/16	HS2307 H2307 HA2307	43,0	22,5
T 208	1-1/2	40	23	16	83	49	29	83	16,0	102,0	114	144	33	49	88	3	83	90	102	2,20	3,20	2,40	2,30	80,0	49,2	30,2	1-1/4 1-5/16 1-3/8	HE2308 HA2308 HS2308	46,0	24,5
T 209	1-9/16 1-5/8 1-11/16 1-3/4 1-13/16	45	23	16	83	49	29	83	16,0	102,0	117	144	35	49	87	3	84	95	100	2,40	3,50	2,60	2,40	85,0	49,2	30,2	35 1-7/16 1-1/2 40	H2308 HA2309 HE2309 H2309 HS2309	50,0	26,0
T 210	1-7/8 1-15/16 2	50	23	16	83	49	29	86	16,0	102,0	117	149	37	49	90	3	89	100	106	2,50	3,80	2,70	2,60	90,0	51,6	32,6	1-11/16 1/34 45	HA2310 HE2310 H2310	55,0	27,5
T 211	2 2-1/8 2-3/16	55	25	19	102	64	35	95	22,0	130,0	146	171	38	64	106	4	95	108	115	4,20	5,80	4,50	4,20	100,0	55,6	33,4	1-7/8 1-15/16 50 2	HS2311 HA2311 H2311 HE2311	59,0	28,5
T 212	2-1/4 2-3/8 2-7/16	60	32	19	102	64	35	102	22,0	130,0	146	194	42	68	119	4	103	115	123	5,10	7,90	5,40	5,00	110,0	65,1	39,7	2-1/8 55	HS2312 H2312	62,0	31,0
T 213	2-1/2	65	32	21	111	70	41	121	26,0	151,0	167	224	44	70	137	4	-	140	137	6,60	10,30	7,20	6,60	120,0	65,1	39,7	2-3/16 2-1/4 60 2-3/8	HA2313 HE2313 H2313 HS2313	65,0	32,0
T 214	2-11/16 2-3/4	65 70	32	21	111	70	41	121	26,0	151,0	167	224	46	70	137	4	-	150	135	7,10	9,90	7,70	-	125,0	74,6	44,4	-	-	-	-
T 215	2-15/16 3	75	32	21	111	70	41	121	26,0	151,0	167	232	48	70	140	4	-	142	151	7,20	11,40	7,80	7,60	130,0	77,8	44,5	2-1/2 65	HE2315 H2315	73,0	35,5
T 216	3-3/16	80	32	21	111	70	41	121	26,0	165,0	184	235	51	70	140	4	-	145	154	8,30	13,30	8,60	8,80	140,0	82,6	49,3	2-3/4 70	HE2316 H2316	78,0	39,0
T 217	3-1/4	85	38	29	124	73	48	157	30,0	173,0	198	260	54	73	162	5	-	155	145	10,40	16,20	-	10,80	150,0	85,7	51,6	75 3	H2317 HE2317	82,0	40,0
T 218	3-1/2	90	36	25	132	85	46	150	26,0	192,0	216	272	55	90	160	4	-	153	146	12,90	20,20	12,10	13,10	160,0	96,0	56,3	80,0	H2318	86,0	42,0