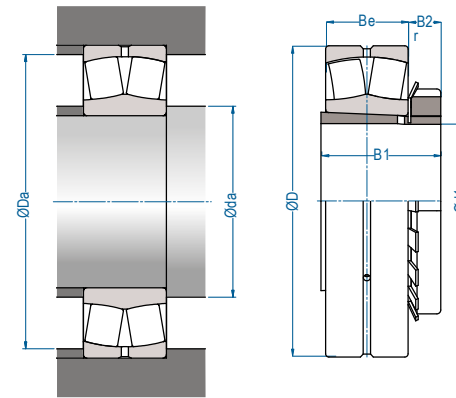
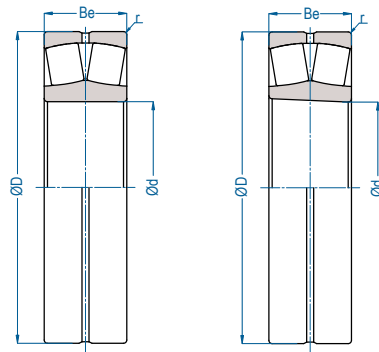


rolamento CILÍNDRICO
serviço PESADO
carreira de rolos DUPLA
furo interno CILÍNDRICO ou CÔNICO



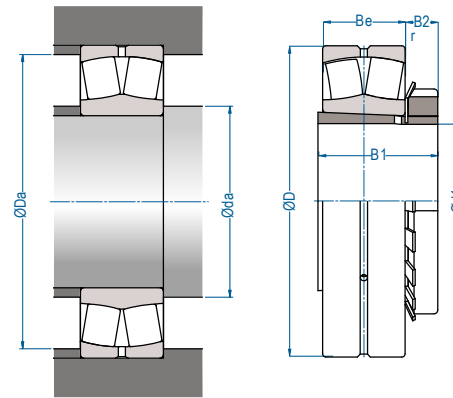
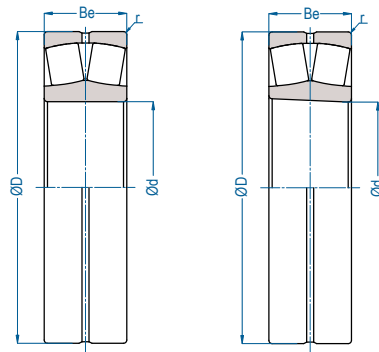
22000
22000 K



Ød	Rolamento		Eixo		Bucha de Fixação	Dimensão nominal(mm)						
	Cilíndrico	Cônico	pol	mm		ØD	Be	r	Ø da	Ø Da	B1	B2
25	22205	22205K	3/4"	-	HE305	52	18	1,0	30,6	46,4	29	8,0
			-	-	H305							
30	22206	22206K	7/8"	-	HS306	62	20	1,0	35,6	56,4	31	8,0
			15/16"	-	HA306							
			-	-	H306							
			1"	-	HE306							
35	22207	22207K	1.1/8"	-	HE307	72	23	1,1	42,0	65,0	35	9,0
			1.1/8"	-	HS307							
			-	-	H307							
			1.3/16"	-	HA307							
40	22208	22208K	1.1/4"	-	HE308	80	23	1,1	47,0	73,0	36	10,0
			1.5/16"	-	HA308							
			1.3/8"	-	HS308							
	22308	22308K	1.1/4"	-	HE2308	90	33	1,5	49,0	81,0	46	10,0
			1.5/16"	-	HA2308							
			1.3/8"	-	HS2308							
45	22209	22209K	1.7/16"	-	HA309	85	23	1,1	52,0	78,0	39	11,0
			1.1/2"	-	HE309							
			-	-	H309							
			1.7/16"	-	HA2309							
50	22309	22309K	1.1/2"	-	HE2309	100	36	1,5	54,0	91,0	50	11,0
			-	-	H2309							
			1.5/8"	-	HS310							
	22210	22210K	1.11/16"	-	HA310	90	23	1,1	57,0	83,0	42	12,0
			1.3/4"	-	HE310							
			-	-	H310							
55	22310	22310K	1.5/8"	-	HS2310	110	40	2,0	61,0	99,0	55	12,0
			1.11/16"	-	HA2310							
			1.3/4"	-	HE2310							
			-	-	H2310							
60	22211	22211K	1.7/8"	-	HS311	100	25	1,5	64,0	91,0	45	12,5
			1.15/16"	-	HA311							
			-	-	H311							
			2"	-	HE311							
65	22311	22311K	1.7/8"	-	HS2311	120	43	2,0	66,0	109,0	59	12,5
			1.15/16"	-	HA2311							
			-	-	H2311							
			2"	-	HE2311							
70	22212	22212K	2.1/8"	-	HE312	110	28	1,5	69,0	101,0	47	13,0
			2.1/8"	-	HS312							
			-	-	H312							
			2.3/16"	-	HA312							
75	22312	22312K	2.1/8"	-	HE2312	130	46	2,1	72,0	118,0	62	13,0
			2.1/8"	-	HS2312							
			-	-	H2312							
			2.3/16"	-	HA2312							

Carga (Kgf)		Limite de Rotação		Peso	
dinâmica	estática	(rpm)		Rolamento	Rol. + Bucha
C _r	C _{0r}	Graxa	Óleo	(kg)	(kg)
4990	4400	10400	13000	0,18	0,26
6610	5850	8800	11000	0,28	0,39
8880	8300	7500	9400	0,44	0,60
9850	9150	6800	8500	0,53	0,73
15500	14000	5400	6000	1,00	1,23
10400	10000	6200	7700	0,57	0,83
19000	18300	4600	5700	1,40	1,71
10700	10800	5700	7200	0,62	0,93
22800	22400	4300	5300	1,85	2,23
12900	12700	5300	6700	0,83	1,20
28000	28000	3900	4800	2,35	2,79
15900	16600	4800	6000	1,15	1,56
32500	33500	3600	4600	2,95	3,45

rolamento CILÍNDRICO
serviço PESADO
carreira de rolos DUPLA
furo interno CILÍNDRICO ou CÔNICO



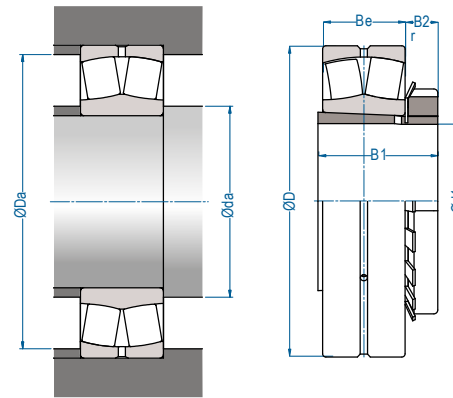
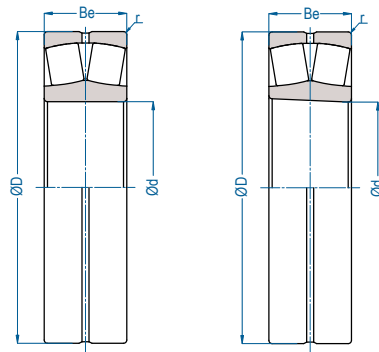
22000
22000 K



Ød	Rolamento		Eixo		Bucha de Fixação	Dimensão nominal(mm)						
	Cilíndrico	Cônico	Ø d1 pol	mm		ØD	Be	r	Ø da	Ø Da	B1	B2
65	22213	22213K	2.3/16"	-	HA313	120	31	1,5	74,0	111,0	50	13,5
			2.1/4"	-	HE313							
			-	60	H313							
			2.3/8"	-	HS313							
70	22313	22313K	2.3/16"	-	HA2313	140	48	2,1	77,0	128,0	65	13,5
			2.1/4"	-	HE2313							
			-	60	H2313							
			2.3/8"	-	HS2313							
75	22214	22214K	2.1/4"	-	HE314	125	31	1,5	79,0	116,0	52	13,5
			-	60	H314							
			2.1/4"	-	HE2314							
			-	60	H2314							
80	22215	22215K	2.7/16"	-	HA315	130	31	1,5	84,0	121,0	55	14,5
			2.1/2"	-	HE315							
			-	65	H315							
			2.5/8"	-	HS315							
85	22315	22315K	2.7/16"	-	HA2315	160	55	2,1	87,0	148,0	73	14,5
			2.1/2"	-	HE2315							
			-	65	H2315							
			2.5/8"	-	HS2315							
90	22216	22216K	2.11/16"	-	HA316	140	33	2,0	91,0	129,0	59	17,0
			2.3/4"	-	HE316							
			-	70	H316							
			2.11/16"	-	HA2316							
95	22316	22316K	2.3/4"	-	HE2316	170	58	2,1	92,0	158,0	78	17,0
			-	70	H2316							
			2.7/8"	-	HS317							
			2.15/16"	-	HA317							
100	22217	22217K	-	-	H317	150	36	2,0	96,0	139,0	63	18,0
			3"	-	HE317							
			2.7/8"	-	HS2317							
			2.15/16"	-	HA2317							
105	22317	22317K	-	-	H2317	180	60	3,0	99,0	166,0	82	18,0
			3"	-	HE2317							
			3.1/8"	-	HS318							
			-	80	H318							
110	22218	22218K	3.3/16"	-	HA318	160	40	2,0	101,0	149,0	65	18,0
			3.1/4"	-	HE318							
			3.1/8"	-	HS2318							
			-	80	H2318							
115	22318	22318K	3.3/16"	-	HA2318	190	64	3,0	104,0	176,0	86	18,0
			3.1/4"	-	HE2318							

Carga (Kgf)		Limite de Rotação (rpm)		Peso	
dinâmica C _r	estática C _{0r}	Graxa	Óleo	Rolamento (kg)	Rol. + Bucha (kg)
19800	21600	4400	5500	1,55	2,03
35700	36000	3300	4100	3,50	4,09
21300	22800	4100	5200	1,60	2,35
41300	43000	3000	3800	4,30	5,23
21700	24000	4000	5000	1,70	2,57
46200	47500	2900	3600	5,25	6,35
24300	27000	3700	4600	2,10	3,17
51600	54000	2700	3400	6,25	7,57
29100	32500	3400	4300	2,70	3,93
57700	62000	2600	3200	7,30	8,80
33100	37500	3200	4000	3,40	4,83
63700	69500	2500	3000	8,70	10,46

rolamento CILÍNDRICO
serviço PESADO
carreira de rolos DUPLA
furo interno CILÍNDRICO ou CÔNICO



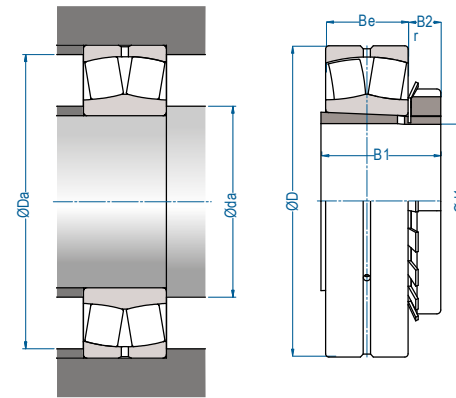
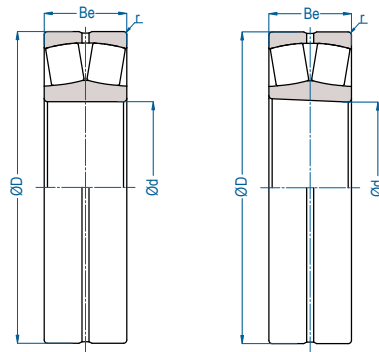
22000
22000 K



Ød	Rolamento		Eixo		Bucha de Fixação	Dimensão nominal(mm)						
			Ø d1			ØD	Be	r	Ø da	Ø Da	B1	B2
	pol	mm										
95	22219	22219K	3.1/4"	-	HE319	170	43	2,1	107,0	158,0	68	19,0
			3.5/16"	-	HA319							
	-	85	H319									
	3.3/8"	-	HS319									
100	22319	22319K	3.1/4"	-	HE2319	200	67	3,0	109,0	186,0	90	19,0
			3.5/16"	-	HA2319							
	-	85	H2319									
	3.3/8"	-	HS2319									
110	22220	22220K	3.7/16"	-	HA320	180	46	2,1	112,0	168,0	71	20,0
			3.1/2"	-	HE320							
	-	90	H320									
	3.5/8"	-	HS320									
120	22320	22320K	3.7/16"	-	HA2320	215	73	3,0	114,0	201,0	97	20,0
			3.1/2"	-	HE2320							
	-	90	H2320									
	3.5/8"	-	HS2320									
130	22222	22222K	3.7/8"	-	HS322	200	53	2,1	122,0	188,0	77	21,0
			-	100	H322							
	3.15/16"	-	HA322									
	4"	-	HE322									
140	22322	22322K	3.7/8"	-	HS2322	240	80	3,0	124,0	226,0	105	21,0
			-	100	H2322							
	3.15/16"	-	HA2322									
	4"	-	HE2322									
150	22224	22224K	4.3/16"	-	HA3124	215	58	2,1	132,0	203,0	88	22,0
			4.1/4"	-	HE3124							
	-	110	H3124									
	4.3/8"	-	HS3124									
160	22324	22324K	4.3/16"	-	HA2324	260	86	3,0	134,0	246,0	112	22,0
			4.1/4"	-	HE2324							
	-	110	H2324									
	4.3/8"	-	HS2324									
170	22226	22226K	4.7/16"	-	HA3126	230	64	3,0	144,0	216,0	92	23,0
			4.1/2"	-	HE3126							
	-	115	H3126									
	4.7/16"	-	HA2326									
180	22326	22326K	4.1/2"	-	HE2326	280	93	4,0	147,0	263,0	121	23,0
			-	115	H2326							
	4.7/8"	-	HS3128									
	4.15/16"	-	H3128									
190	22228	22228K	4.7/8"	-	HA3128	250	68	3,0	154,0	236,0	97	24,0
			-	125	HA3128							
	5"	-	HE3128									
	4.7/8"	-	HS2328									
200	22328	22328K	4.7/8"	-	H2328	300	102	4,0	157,0	283,0	131	24,0
			-	125	HA2328							
	4.15/16"	-	HE2328									
	5"	-	HS2328									

Carga (Kgf)		Limite de Rotação		Peso	
dinâmica	estática	(rpm)		Rolamento	Rol. + Bucha
C _r	C _{0r}	Graxa	Óleo	(kg)	(kg)
39300	45000	3000	3800	4,15	5,74
69900	76500	2300	2800	10,00	11,96
43300	49000	2800	3600	4,95	6,73
84700	95000	2100	2600	13,00	15,25
57200	64000	2600	3300	7,05	9,31
98900	112000	2000	2400	18,00	20,85
65200	78000	2400	2300	8,95	11,65
101900	112000	1800	2200	22,00	25,29
75800	93000	2200	2800	11,50	15,30
117600	132000	1600	2000	28,00	32,73
74300	90000	2000	2500	14,00	18,50
135700	156000	1500	1900	35,00	40,73

rolamento CILÍNDRICO
serviço PESADO
carreira de rolos DUPLA
furo interno CILÍNDRICO ou CÔNICO



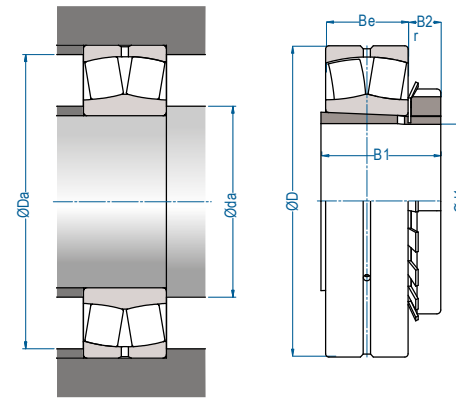
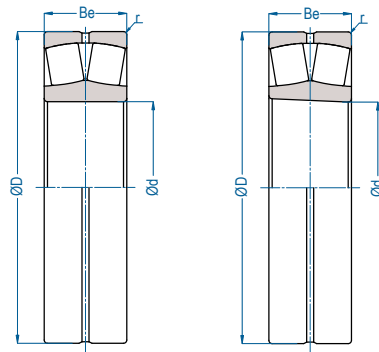
22000
22000 K



Ød	Rolamento		Eixo		Bucha de Fixação	Dimensão nominal(mm)						
	Cilíndrico	Cônico	Ø d1			ØD	Be	r	Ø da	Ø Da	B1	B2
			pol	mm								
150	22230	22230K	5.3/16"	-	HA3130	270	73	3,0	164,0	256,0	111	26,0
			5.1/4"	-	HE3130							
			-	135	H3130							
150	22330	22330K	5.3/16"	-	HA2330	320	108	4,0	167,0	303,0	139	26,0
			5.1/4"	-	HE2330							
			-	135	H2330							
160	22232	22232K	5.3/8"	-	HS3130	290	80	3,0	174,0	276,0	119	27,5
			5.7/16"	-	HA3132							
			5.1/2"	-	HE3132							
160	22332	22332K	-	140	H3132	340	114	4,0	177,0	323,0	147	28,0
			5.7/16"	-	HA2332							
			5.1/2"	-	HE2332							
170	22234	22234K	-	150	HS3134	310	86	4,0	187,0	293,0	122	28,5
			5.7/8"	-	H3134							
			5.15/16"	-	HA3134							
170	22334	22334K	6"	-	HE3134	360	120	4,0	187,0	343,0	154	29,0
			-	150	HS2334							
			5.7/8"	-	H2334							
180	22236	22236K	5.15/16"	-	HA2334	320	86	4,0	197,0	303,0	131	29,5
			6"	-	HE2334							
			6.3/8"	-	H3136							
180	22336	22336K	6.7/16"	-	HS3136	380	126	4,0	197,0	363,0	161	30,0
			6.1/2"	-	HE2336							
			-	160	H2336							
190	22238	22238K	6.3/8"	-	HS2336	340	92	4,0	207,0	323,0	141	30,5
			6.7/16"	-	HE2336							
			6.1/2"	-	HA2336							
190	22338	22338K	6.5/8"	-	HS3138	400	132	5,0	210,0	380,0	169	30,5
			-	170	H3138							
			6.3/4"	-	HE3138							
200	22240	22240K	6.15/16"	-	HA3138	360	98	4,0	217,0	343,0	150	31,5
			-	180	HS3140							
			7"	-	HE3140							
200	22340	22340K	7.1/8"	-	HS2338	420	138	5,0	220,0	400,0	176	31,5
			7.3/16"	-	HE2340							
			-	180	H2340							

Carga (Kgf)		Limite de Rotação (rpm)		Peso	
dinâmica	estática	Graxa	Óleo	Rolamento (kg)	Rol. + Bucha (kg)
C_r	C_{or}				
89800	108000	1800	2300	18,00	23,70
153900	176000	1400	1700	42,00	48,86
104300	129000	1700	2100	23,00	30,80
168000	196000	1300	1600	50,00	59,35
118300	146000	1600	2000	28,00	36,50
186300	216000	1200	1500	59,00	69,50
123700	156000	1500	1900	29,50	39,30
207700	245000	1100	1400	68,50	80,20
134200	170000	1400	1800	35,50	46,60
223200	265000	1000	1300	79,50	92,50
152600	193000	1400	1700	43,00	55,50
243900	290000	950	1200	89,50	103,90

rolamento CILÍNDRICO
serviço PESADO
carreira de rolos DUPLA
furo interno CILÍNDRICO ou CÔNICO



22000
22000 K



Ød	Rolamento		Eixo		Bucha de Fixação	Dimensão nominal(mm)						
	Cilíndrico	Cônico	Ø d1 pol	mm		ØD	Be	r	Ø da	Ø Da	B1	B2
220	22244	22244K	-	200	H3144	400	108	4,0	237,0	383,0	161	35,0
			7.15/16"	-	HA3144							
			8"	-	HE3144							
220	22344	22344K	-	200	H2344	460	145	5,0	240,0	440,0	186	35,0
			7.15/16"	-	HA2344							
			8"	-	HE2344							
240	22248	22248K	8.7/16"	-	HA3148	440	120	4,0	257,0	423,0	172	37,0
			8.1/2"	-	HE3148							
			-	220	H3148							
240	22348	22348K	8.7/16"	-	HA2348	500	155	5,0	260,0	480,0	199	37,0
			8.1/2"	-	HE2348							
			-	220	H2348							
260	22252	22252K	9.7/16"	-	HA3152	480	130	5,0	280,0	460,0	190	39,0
			-	240	H3152							
			9.1/2"	-	HE3152							
260	22352	22352K	9.7/16"	-	HA2352	540	165	6,0	286,0	514,0	211	39,0
			-	240	H2352							
			9.1/2"	-	HE2352							
280	22256	22256K	10"	-	HE3156	500	130	5,0	300,0	480,0	195	41,0
			-	260	H3156							
			10.7/16"	-	HA3156							
280	22356	22356K	10"	-	HE2356	580	175	6,0	306,0	554,0	224	41,0
			-	260	H2356							
			10.7/16"	-	HA2356							
300	22260	22260K	10.15/16"	-	HA3160	540	140	5,0	311,0	520,0	208	40,0
			11"	-	HE3160							
			-	280	H3160							
320	22264	22264K	11.1/2"	-	HE3164	580	150	5,0	340,0	560,0	226	42,0
			-	300	H3164							
			11.15/16"	-	HA3164							
360	22272	-	-	-	-	650	170	6,0	386,0	624,0	-	-
400	22380	22380K	15"	-	HE3280	820	243	7,5	432,0	788,0	328	62,0
			-	380	H3280							

Carga (Kgf)		Limite de Rotação (rpm)		Peso	
dinâmica Cr	estática Cor	Graxa	Óleo	Rolamento (kg)	Rol. + Bucha (kg)
183500	236000	1200	1500	59,00	75,00
283900	345000	770	1000	115,00	132,00
225800	300000	920	1200	78,00	96,70
322900	400000	720	930	145,00	164,00
272200	355000	850	1100	105,00	128,90
368000	455000	650	850	180,00	203,00
279500	375000	770	1000	109,00	135,70
415800	520000	600	780	230,00	257,00
323900	425000	720	930	145,00	176,20
370800	490000	660	860	165,00	201,30
443000	620000	450	590	250,00	-
783200	1040000	400	520	620,00	703,80