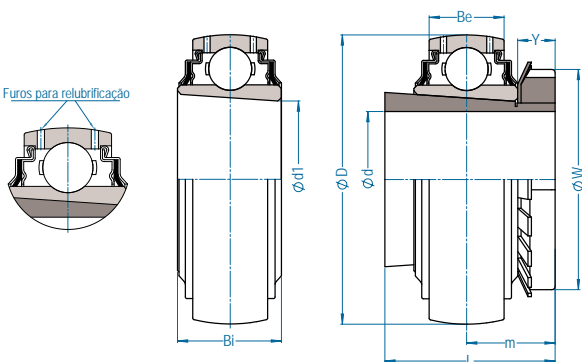


# UK 300

rolamento ESFÉRICO  
fixação por BUCHA ADAPTADORA  
serviço PESADO

Furos para retubificação



Rolamento	Buchas	Eixo		Dimensão nominal (mm)							Cargas (kgf)		Peso (kg)	
		Ø pol	Ø mm	D	Bi	Be	m	L	W	d1	Y	dinâmica C <sub>r</sub>		estática C <sub>or</sub>
UK 305 V22	HE2305	3/4	20	62,0	27,0	21,0	21,5	35,0	38,0	25,0	8,0	2280	1170	0,40
	H2305													
UK 306 V22	HS2306	7/8	25	72,0	30,0	24,0	23,0	38,0	45,0	30,0	8,0	2760	1550	0,45
	HA2306													
	H2306													
UK 307 V22	HE2306	1	30	80,0	33,0	25,0	25,5	43,0	52,0	35,0	9,0	3420	1960	0,75
	HS2307													
	H2307													
UK 308 V22	HA2307	1-3/16	35	90,0	35,0	28,0	27,5	46,0	58,0	40,0	10,0	4140	2450	0,80
	HE2308													
	HA2308													
	HS2308													
UK 309 V22	H2308	1-7/16	40	100,0	38,0	30,0	30,0	50,0	65,0	45,0	11,0	5410	3250	1,20
	HA2309													
	HE2309													
	H2309													
UK 310 V22	HS2309	1-5/8	45	110,0	40,0	32,0	32,0	55,0	70,0	50,0	12,0	6300	3860	1,35
	HA2310													
	HE2310													
UK 311 V22	H2310	1-11/16	50	120,0	43,0	34,0	33,5	59,0	75,0	55,0	12,0	7300	4570	1,80
	HS2311													
	HA2311													
UK 312 V22	H2311	1-7/8	55	130,0	47,0	36,0	36,5	62,0	80,0	60,0	13,0	8330	5290	2,05
	HS2312													
	H2312													
UK 313 V22	HA2312	2-3/16	60	140,0	49,0	38,0	38,5	65,0	85,0	65,0	14,0	9580	6170	2,70
	HE2313													
	H2313													
UK 315 V22	HS2313	2-1/4	65	160,0	55,0	42,0	42,5	73,0	98,0	75,0	15,0	11570	7840	4,00
	HE2315													
	H2315													
UK 316 V22	HA2315	2-3/8	70	170,0	55,0	44,0	44,2	78,0	105,0	80,0	17,0	12540	8830	4,55
	H2316													
UK 317 V22	HE2316	2-1/2	75	180,0	60,0	46,0	48,0	82,0	110,0	85,0	18,0	13530	9850	5,45
	H2317													
UK 318 V22	HE2317	3	80	190,0	60,0	48,0	48,0	86,0	120,0	90,0	18,0	14590	11020	6,25
	H2318													
UK 319 V22	HA2318	3-1/4	85	200,0	66,0	50,0	52,0	90,0	125,0	95,0	19,0	15920	12450	8,70
	H2319													
UK 320 V22	HE2319	3-1/2	90	215,0	68,0	54,0	54,0	97,0	130,0	100,0	20,0	17510	14290	10,80
	H2320													
UK 322 V22	HE2320	4	100	240,0	80,0	60,0	61,0	105,0	145,0	110,0	21,0	20900	17000	14,40
	H2322													
UK 324 V22	HE2322	110	110	260,0	87,0	64,0	65,5	112,0	155,0	120,0	22,0	21100	18800	18,00
	H2324													
UK 326 V22	H2326	115	115	280,0	90,0	68,0	68,0	121,0	165,0	130,0	23,0	23300	21400	23,30
UK 328 V22	H2328	125	125	300,0	98,0	72,0	73,0	131,0	180,0	140,0	24,0	23300	24600	28,90